

# HOMT2020

Tandem mini circuit breaker, Homeline, 2 x 1 pole at 20A, 120/240 VAC, 10 kA AIR, plug in mount

Product availability : Stock - Normally stocked in distribution facility



## Main

|                              |                                   |
|------------------------------|-----------------------------------|
| Product                      | Miniature circuit-breaker         |
| Range                        | Homeline                          |
| Current Rating               | 20 A                              |
| Certifications               | UL Listed                         |
| Voltage Rating               | 120/240 V AC                      |
| Mounting Type                | Plug-in                           |
| Number of Poles              | 1P                                |
| Short Circuit Current Rating | 10 kA                             |
| Number of Spaces             | 1                                 |
| Circuit Breaker Type         | Tandem                            |
| Ratings                      | HACR rated                        |
| Electrical Connection        | Box lugs                          |
| Wire Size                    | AWG 14...AWG 8 aluminium/copper)1 |

## Complementary

|                   |   |
|-------------------|---|
| Tightening torque | 35.40 lbf.in (4.0 N.m) 0.00...0.01 in <sup>2</sup> (2.5...6 mm <sup>2</sup> ) AWG 14...AWG 8) |
| Height            | 3.13 in (79.50 mm)  |
| Width             | 1 in (25.40 mm)   |
| Depth             | 2.98 in (75.69 mm)  |

## Environment

|                                       |                |
|---------------------------------------|----------------|
| Ambient air temperature for operation | 104 °F (40 °C) |
|---------------------------------------|----------------|

\* Price is "List Price" and may be subject to a trade discount – check with your local distributor or retailer for actual price.

## Ordering and shipping details

|                       |                                    |
|-----------------------|------------------------------------|
| Category              | 00046 - HOM/T 15-30A 1P; 15-60A 2P |
| Discount Schedule     | DE3D                               |
| GTIN                  | 00785901065401                     |
| Nbr. of units in pkg. | 100                                |
| Package weight(Lbs)   | 100 lb(US) (45.36 kg)              |
| Returnability         | Yes                                |
| Country of origin     | MX                                 |

## Packing Units

|                              |                        |
|------------------------------|------------------------|
| Unit Type of Package 1       | PCE                    |
| Package 1 Height             | 3.00 in (7.62 cm)      |
| Package 1 width              | 1.00 in (2.54 cm)      |
| Package 1 Length             | 3.30 in (8.382 cm)     |
| Unit Type of Package 2       | CAR                    |
| Number of Units in Package 2 | 10                     |
| Package 2 Weight             | 4.55 lb(US) (2.064 kg) |
| Package 2 Height             | 3.80 in (9.652 cm)     |
| Package 2 width              | 4.10 in (10.414 cm)    |
| Package 2 Length             | 10.40 in (26.416 cm)   |
| Unit Type of Package 3       | BB1                    |
| Number of Units in Package 3 | 10                     |
| Package 3 Weight             | 4.55 lb(US) (2.064 kg) |
| Package 3 Height             | 3.80 in (9.652 cm)     |
| Package 3 width              | 1.00 in (2.54 cm)      |
| Package 3 Length             | 10.40 in (26.416 cm)   |

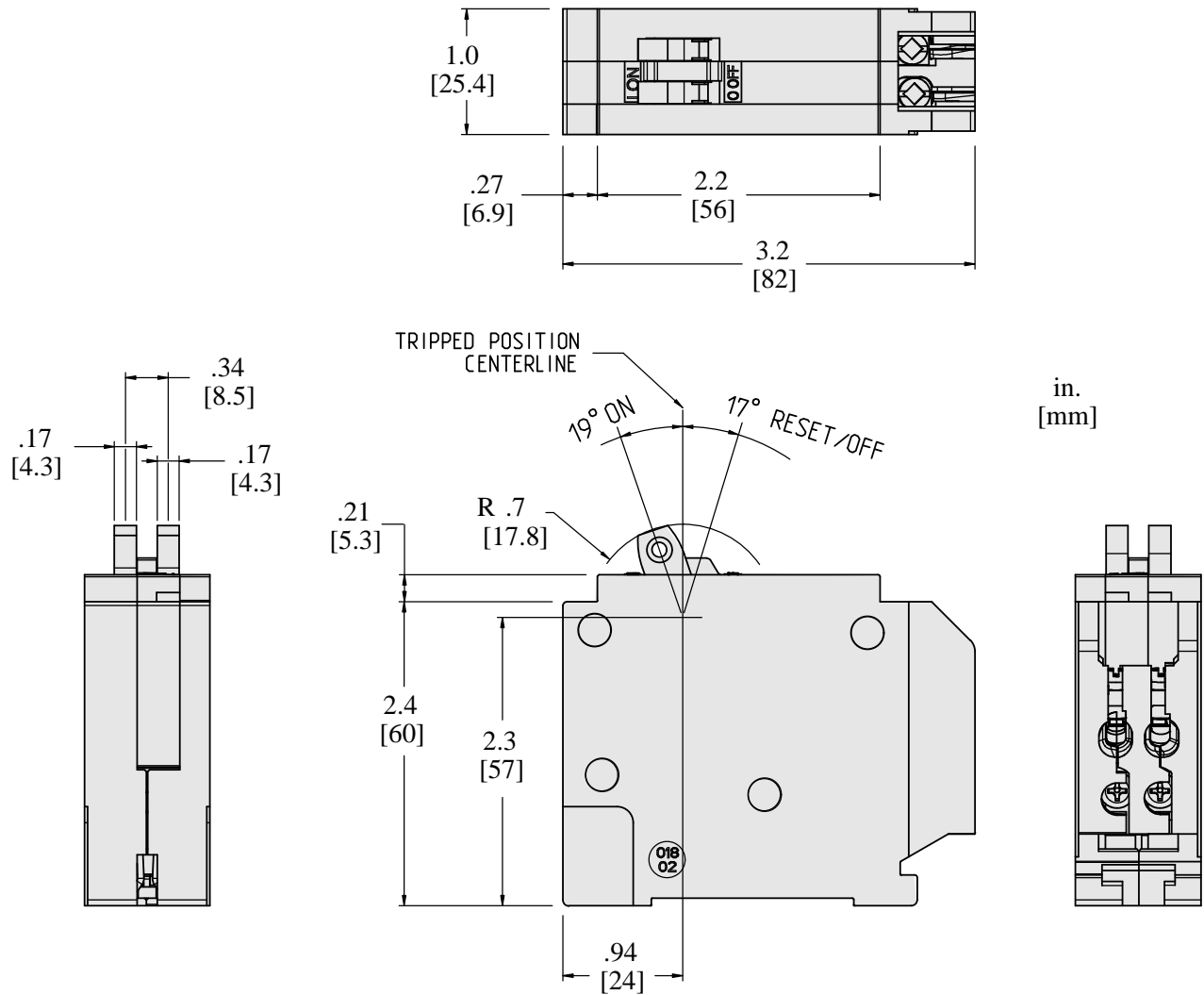
## Offer Sustainability

|                            |   |
|----------------------------|---|
| Sustainable offer status   | Green Premium product   |
| REACH Regulation           | <a href="#">REACH Declaration</a>   |
| REACH free of SVHC         | Yes   |
| EU RoHS Directive          | Compliant<br><a href="#">EU RoHS Declaration</a>  |
| Toxic heavy metal free     | Yes   |
| Mercury free               | Yes   |
| RoHS exemption information | <a href="#">Yes</a>   |
| China RoHS Regulation      | <a href="#">China RoHS declaration</a><br>Pro-active China RoHS declaration (out of China RoHS legal scope) |
| Environmental Disclosure   | <a href="#">Product Environmental Profile</a>   |

## Contractual warranty

|          |          |
|----------|----------|
| Warranty | Lifetime |
|----------|----------|

Dimensions



All dimensions are approximate. Also refer to technical drawings and documentation.